

SAMSUN[®] SOLAR

www.samsunindia.com

POWER BACKUP SOLUTIONS

THE
AMAZING
PRODUCTS...!



 **100%**
Copper Coil

SAMSUN[®]
SOLAR

**GOLDEN
SERIES**

**GOLDEN
SERIES** 

PURE SINE WAVE UPS

900/12V, 1100/12V, 1350/12V, 1500/12V & 1700/12V



Support
Surge Load



Lightning
Protection



LCD and LED
Indication



Solar Compact
Design

GOLDEN SERIES TECHNICAL SPECIFICATIONS

Connection Type	Single Phase				
Inverter output power	900VA	1100VA	1350VA	1500VA	1700VA
Power Factor	0.7			0.75	
Battery input voltage	12V				
Mains input voltage	230V AC, 50Hz				
Mains input range	0V-270V, 45Hz to 65Hz				
Mains high voltage withstand	Up to 440V				
AC output (Inverter)	50/60Hz				
Battery full Cut-off	14.5V				
Inverter output waveform	Pure sine wave (harmonic distortion less than 1%)				
Inverter topology	Bridge type center aligned switching MOSFET based				
Battery charging voltage	Intelligent 4 stage charger constant current/constant voltage SMPS charging with full charge cut off.				
Charging current	Settable from 1A to 15A				
Charging working range	120V-270V AC Mains input				
Inverter high cut-off voltage	270v				
Inverter low cut-off voltage	100v				
UPS high cut-off voltage	265v				
UPS low cut-off voltage	180v				
Battery low warning	10.5v				
Battery low cut-off	10V				
Operating temperature	00C TO 55°C				
Cooling fan auto-ON temp.	70°C				
Cooling fan auto-OFF temp.	60°C				
Storage temperature	-15°C TO 60°C				
Humidity	5% to 95% Relative humidity (Non-condensing)				
Inverter protection	Overload, short circuit, battery deep discharging				

 **100%**
Copper Coil

SAMSUN[®]
SOLAR

ALPHA

SERIES

PURE SINE WAVE UPS



Support
Surge Load



LCD and LED
Indication



Lightning
Protection



Solar Compact
Design



2.5kVA/24V, 3.5kVA/24V & 3.5kVA/48V

SPECIFICATIONS

- Solar Support Switch
- Soft start facility
- Automatic restart facility
- Quick battery charging
- Automatic restart facility
- Perfect load compatibility
- Designed for long backup
- Intelligent automatic control
- Intelligent audio/visual indication
- Smart overload & short circuit protection
- Battery over charge/deep discharge protection
- Micro controller based line interactive technology

TECHNICAL SPECIFICATIONS

Connection Type	Single Phase					
	2KVA/24V	2.5KVA/24V	3.5KVA/24V	3.5KVA/48V	4KVA/48V	5KVA/48V
Inverter output power	2KVA/24V	2.5KVA/24V	3.5KVA/24V	3.5KVA/48V	4KVA/48V	5KVA/48V
Power Factor	0.8					
Battery input voltage	12V DC- 48V DC (Various models)					
Mains input voltage	230V AC, 50Hz					
Mains input range	0V-270V, 45Hz to 65Hz					
Mains high voltage withstand	Up to 440V					
AC output (Inverter)	230V ± 3%, 50Hz					
Battery full Cut-off	14.5V					
Inverter output waveform	Pure sine wave (harmonic distortion less than 1%)					
Inverter topology	Bridge type center aligned switching MOSFET based					
Battery charging voltage	Intelligent 4 stage charger constant current/constant voltage SMPS charging with full charge cut off.					
Charging current	Settable from 1A to 15A					
Charging working range	120V-270V AC Mains input					
Inverter high cut-off voltage	270v					
Inverter low cut-off voltage	100v					
UPS high cut-off voltage	265v					
UPS low cut-off voltage	180v					
Battery low warning	10.5v					
Battery low cut-off	10V					
Operating temperature	00C TO 55°C					
Cooling fan auto-ON temp.	70°C					
Cooling fan auto-OFF temp.	60°C					
Storage temperature	-15°C TO 60°C					
Humidity	5% to 95% Relative humidity (Non-condensing)					
Inverter protection	Overload, short circuit, battery deep discharging					

Specification	Inverter Mode	UPS Mode
Input voltage Range	100V - 270V ± 10V	180V - 265V ± 10V
Changeover time (Inverter to mains)	Approx ≤ 10msec	Approx ≤ 10msec
Changeover time (Mains to Inverter)	Approx ≤ 40msec	Approx ≤ 30msec



Great
Power Saving
Up To 30%



Battery Charge At
Very Low Voltage
Till 90v



User friendly
Interface



Backup Time
More Than 12%



PURE SINE WAVE UPS SERIES TECHNICAL SPECIFICATIONS

Parameters	800VA/12V, 1000/12V, 1200/12V, 1600/12V, 1700/12V 2KVA/24V, 2.5KVA/24V, 3.5KVA/24V, 3.5KVA/48V, 4KVA/48V, 5KVA/48V
UPS MODE	
Low Cut	175 ± 10V
Low Cut Recovery	185 ± 10V
High Cut	265 ± 10V
High Cut Recovery	255 ± 10V
Change Over Time	< 10 ms
WUPS MODE	
Low Cut	90 ± 10V
Low Cut Recovery	110 ± 10V
High Cut	295 ± 10V
High Cut Recovery	285 ± 10V
Change Over Time	< 30 ms
Output Voltage Range	220V ± 5% or - 10%
Output Waveform	Pure Sine Wave
Output Frequency	50 Hz ± 1%
Overload	> 110%
Charging Current (100Ah-135Ah)	12A ± 1 Amp (Factory Setting)
Charging Current (150Ah-200Ah)	15 A ± 1 Amp (Factory Setting)
Charging Boost Voltage (LA/Floded)	14.0 ± 0.2 each Battery
Charging Boost Voltage (SMF/Tubular)	14.5 ± 0.2 each Battery
Low Battery Warning	11V ± 0.2 V each Battery
Low Battery Cut	10.8V ± 0.2 V each Battery
Operating Temperature	0° to 50° C
Storage Temperature	0° to 50° C
Humidity	0 to 95 % RH non -conditioning

LOAD CHART*

PRODUCTS	700VA		850VA		900VA		1100VA		1700 VA		2 KVA		2.5 KVA		3.5 KVA		5 KVA		6 KVA		10 KVA	
	A	B	A	B	A	B	A	B	A	B	A	B	A	B	A	B	A	B	A	B	A	B
21" TV/29" TV*	-	1	-	1	-	1	-	1	2	1	2	1	1	1	2	-	4	2	2	1	2	2
Fan	1	2	1	3	3	4	4	3	5	3	8	10	5	4	4	4	15	10	10	6	20	4
Tube Light	2	2	3	3	3	4	4	3	5	3	8	10	4	6	4	8	15	10	10	5	20	15
11W CFL	3	2	4	5	3	6	5	5	6	4	10	16	10	8	4	4	15	20	20	10	20	15
0.8 Ton AC	-	-	-	-	-	-	-	-	-	-	-	-	-	1	-	-	-	-	2	-	-	-
Computer	1	-	1	-	1	-	1	-	-	-	-	-	-	-	4	-	-	-	-	-	-	-
Air Cooler	-	-	-	-	-	-	-	-	-	-	-	-	-	1	-	1	-	2	1	-	4	4
Refrigerator 360 ltr	-	-	-	-	-	-	-	-	-	-	-	-	1	-	1	-	-	-	1	-	-	-
1 Ton AC	-	-	-	-	-	-	-	-	-	-	-	-	-	-	1	-	1	-	2	-	-	-
1.5 Ton AC	-	-	-	-	-	-	-	-	-	-	-	-	-	-	-	-	-	-	-	-	-	2

*Conditions apply

SOLAR HYBRID PCU MPPT BASED



Great
Power Saving
Up To 30%



Battery Charge At
Very Low Voltage
Till 90v



User friendly
Interface



Backup Time
More Than 12%

ULTRA
SERIES



SOLAR HYBRID UPS SERIES TECHNICAL SPECIFICATIONS

PARAMETERS	700VA-1100VA(12V) 1700VA-2000VA (24V) / 2.5KVA (24V) / 3.5KVA-4000KVA(48V) / 5KVA-5.5KVA (48V) / 6KVA(72V) / 7.5KVA(96V) / 10KVA(120V)							
UPS MODE								
Low Cut	175 ± 10V							
Low Cut Recovery	185 ± 10V							
High Cut	265 ± 10V							
High Cut Recovery	255 ± 10V							
Change Over Time	< 10 ms							
WUPS MODE								
Low Cut	90 ± 10V							
Low Cut Recovery	110 ± 10V							
High Cut	295 ± 10V							
High Cut Recovery	285 ± 10V							
Change Over Time	< 30 ms							
Output Voltage Range	230 V Nominal							
Output Waveform	Pure Sine Wave							
Output Frequency	50 Hz ± 1%							
Overload	> 110%							
Charging Current (100AH-200AH)	15A ± 1 AMP (Factory Setting)							
Charging Boost Voltage (LA/Floded)	14.0 V ± 0.2 V each battery							
Charging Boost Voltage (Tubular)	14.5 V ± 0.2 V each battery							
Low Battery Warning	10.7 V ± 0.2 V each battery							
Low Battery Cut	10.5 V ± 0.2 V each battery							
DC Load Low battery cut	10.3 V ± 0.2 V each battery							
Operating Temperature	0 to 50 °C							
Storage Temperature	0 to 50 °C							
Humidity	0 to 95% RH non-conditioning							
Solar Charger								
Solar Charger	MPPT							
Max. Solar Input Voltage (Voc)	25V each battery							
Nominal Voltage	12V	24V	36V	48V	48V	72V	96V	120V
Solar Input Max VMP/Min VMP	21V	36V	63V	72V	72V	108V	144V	180V
Max PV Input Power	450W	2000W	2500W	3000W	3500W	4500W	7000W	8750W
Charging Current (Max)	30A	50A			60A			
PRIORITY								
Charging Priority	Battery is always charged through Solar Priority							
Battery Priority	Firstly use solar power & check battery charged status after that use battery 20% if solar power is available							
Grid Priority	Charged Battery always from Solar as well as Grid if solar is not sufficient.							
LCD Display	Solar Power/ Mains Status / Battery Charging / Backup Mode Status / Protections etc.							
Dimensions (LxWxH) mm	270x190x125	340x230x260	350x230x310		425x300x500		482x320x615	
Net Weight (Kg)	8.5 Kg/ 8.75 Kg/ 9.35 Kg/ 9.5 Kg	15.9 18.5	20.5 23.5	21.5 24.5	43.0	47.0	55.0	65.0
Gross Weight (Kg)	9.3 Kg/ 10.1 Kg/ 10.25 Kg	16.9 19.3	21.0 24.0	22.0 25.0	43.5	47.5	55.5	65.5

MPPT Solar Charge Controller

MC4860N15/MC4870N15/MC4860N25/MC4870N25



Product Characteristics

- 10-40% higher than PWM mode.
- MPPT tracking efficiency is up to 99.9%.
- Full-range electronic protection functions.
- Built-in temperature detection.
- RS485 Modbus protocol Built-in bluetooth module.
- Lead-acid batteries, colloidal batteries, open-ended batteries, lithium batteries.
- 12/24V/36/48 identification.
- Current-limiting charging mode.
- Historical data storage.

Product Accessories

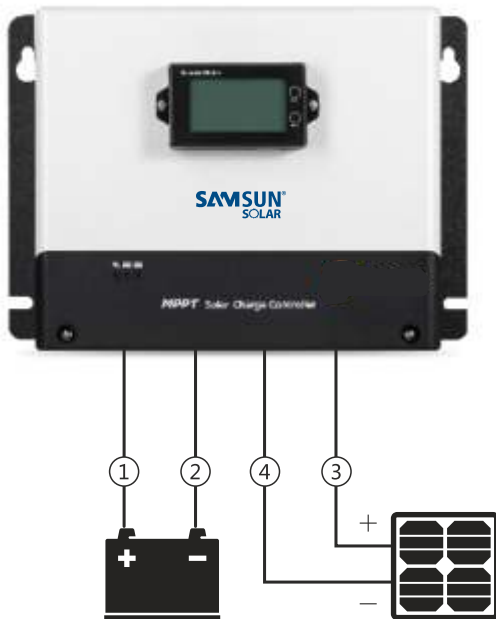
RM-7 display, USB to TTL cable, BTS temperature sensor.



Parameters

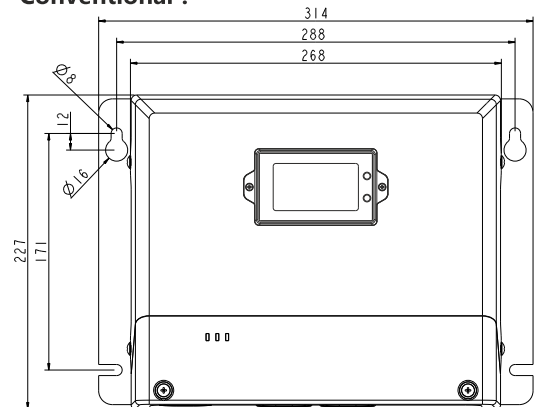
Model	MC4885N15	MC48100N15	MC4885N25	MC48100N25
System voltage	12V/24/36/48V			
Static power consumption	0.54W			
Maximum input voltage of solar energy (25°C)	150V		250V	
Voltage Range at MPP (Maximum Power Point)	Battery voltage +2~ 120V		Battery voltage +2~ 180V	
Charging current	85A	100A	85A	100A
Solar panel power(12V battery)	1100W	1320W	1100W	1320W
Solar panel power(24V battery)	2200W	2640W	2200W	2640W
Solar panel power(36V battery)	3300W	3960W	3300W	3960W
Solar panel power(48V battery)	4400W	5280W	4400W	5280W
Support battery type	AGM Battery,GEL Battery, Flooded Battery,Lithium Battery			
Temperature compensation coefficient	-3mV/°C/2V (default)			
Operating temperature range	-35°C~+65°C			
Humidity	95%, no condensation			
Protection grade	IP32			
Weight	5.7kg			
Communication mode	TTL(3.3V)/RS485/Bluetooth Module			
Product Dimensions	314*227*121 (mm)			
Terminal blocks	35mm ² 2AWG			
Functional authentication	IEC62509 : 2010			
Safety certification	ETL			

Product connection diagram

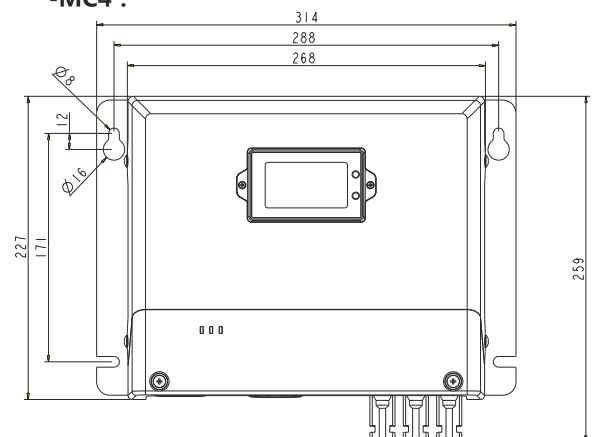


Technical requirements

Conventional :



-MC4 :



All-in-one solar charge inverter

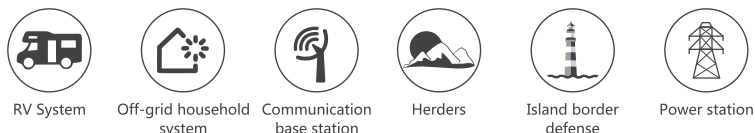
HF2420S60-100/HF2430S60-100



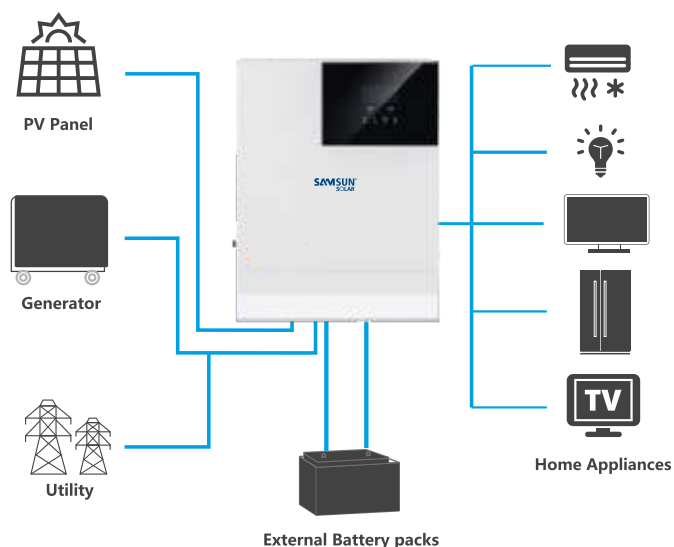
Performance characteristics

- Full digital voltage and current double closed loop control, advanced SPWM technology, output of pure sine wave.
- Two output modes: mains bypass and inverter output; uninterrupted power supply.
- Available in 4 charging modes: Only Solar, Mains Priority, Solar Priority and Mains & Solar hybrid charging.
- Advanced MPPT technology with an efficiency of 99.9%.
- With the charging requirement (voltage, current, mode) settings, and suitable for various types of energy storage batteries.
- ON/OFF rocker switch for AC output control.
- Power saving mode available to reduce no-load loss.
- Intelligent variable speed fan to efficiently dissipate heat and extend system life.
- Lithium battery activation design, allowing access of lead-acid battery and lithium battery.
- 360 ° all-round protection with a number of protection functions. Such as overload, short circuit and over current.
- Supply of a variety of user-friendly communication modules, such as RS485(GPRS,WiFi, Bluetooth), CAN, USB etc., and suitable for computer, mobile phones, Internet monitoring as well as remote operations.
- Lithium battery can be activated by both mains and PV.

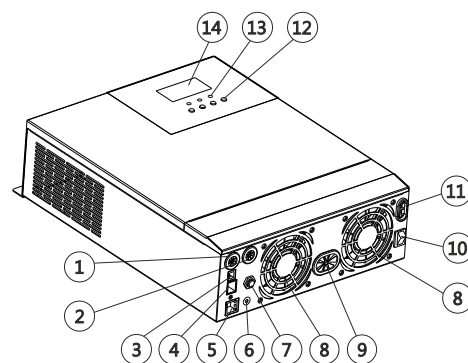
Application scenarios



Product connection diagram



Product characteristics



①	AC input port	⑧	Cooling fan
②	AC output port	⑨	Battery port
③	USB communication port	⑩	ON/OFF rocker switch
④	RS485 communication port	⑪	PV port
⑤	Dry node port	⑫	Touch button
⑥	Grounding screw hole	⑬	LED Indicator
⑦	AC input Overload protector	⑭	LCD screen

Parameters

Models	HF2420S60-100	HF2430S60-100
AC mode		
Rated input voltage	220/230Vac	
Input voltage range	(170Vac~280Vac) ±2% ; (90Vac-280Vac)±2%	
Frequency	50Hz/ 60Hz (Auto detection)	
Frequency Range	47±0.3Hz ~ 55±0.3Hz (50Hz)/57±0.3Hz ~ 65±0.3Hz (60Hz);	
Overload/short circuit protection	Circuit breaker	
Efficiency	>95%	
Conversion time (bypass and inverter)	10ms (typical)	
AC reverse protection	Available	
Maximum bypass overload current	30A	
Inverter mode		
Output voltage waveform	Pure sine wave	
Rated output power (VA)	2000	3000
Rated output power (W)	2000	3000
Power factor	1	
Rated output voltage (Vac)	230Vac	
Output voltage error	±5%	
Output frequency range (Hz)	50Hz ± 0.3Hz/60Hz ± 0.3Hz	
Efficiency	>92%	
Overload protection	(102% < load <125%) ±10%: report error and turn off the output after 5 minutes; (125% < load < 150%) ± 10%: report error and turn off the output after 10 seconds; Load > 150% ±10%: report error and turn off the output after 5 seconds;	
Peak power	4000	6000
Loaded motor capability	1HP	2HP
Output short circuit protection	Circuit breaker	
Bypass breaker specifications	30A	
Rated battery input voltage	24V (Minimum starting voltage 22V)	
Battery voltage range	20.0Vdc~33Vdc ± 0.6Vdc (Undervoltage alarm/shutdown voltage/overvoltage alarm /overvoltage recovery... settable on LCD screen)	
Power saving mode	Load ≤50W	
AC charging		
Battery type	Lead acid or lithium battery	
Maximum charge current	60A	80A
Charge current error	± 5A _{dc}	
Charge voltage range	20.0Vdc~33Vdc	
Short circuit protection	Circuit breaker and blown fuse	
Circuit breaker specifications	30A	
Overcharge protection	Alarm and turn off charging after 1 minute	
PV charging		
Maximum PV open circuit voltage	100Vdc	
PV operating voltage range	30-100Vdc	
MPPT voltage range	30-85Vdc	
Battery voltage range	20-33Vdc	
Maximum output power	1400W	
PV charging current range (can be set)	0-60A	
Charging short circuit protection	Blown fuse	
Wiring protection	Reverse polarity protection	
Certified specifications		
Certification	CE(EN62109-1)	
EMC certification level	EN61000, C2	
Operating temperature range	-15°C to 55°C	
Storage temperature range	-25°C ~ 60°C	
Humidity range	5% to 95% (Conformal coating protection)	
Noise	≤60dB	
Heat dissipation	Forced air cooling, variable speed of fan	
Communication interface	USB/RS485(WiFi/GPRS)/Dry node control	
Size (L*W*D)	378*280*103mm	
Weight (kg)	6.2	

All-in-one solar charge inverter

HF4830S60-H/HF4850S80-H

HF4835U60-H/HF4850U80-H



Performance characteristics

- Full digital voltage and current double closed loop control, advanced SPWM technology, output of pure sine wave.
- Two output modes: mains bypass and inverter output; uninterrupted power supply.
- Available in 4 charging modes: Only Solar, Mains Priority, Solar Priority and Mains & Solar hybrid charging.
- Advanced MPPT technology with an efficiency of 99.9%.
- With the charging requirement (voltage, current, mode) settings, and suitable for various types of energystorage batteries.
- ON/OFF rocker switch for AC output control.
- Power saving mode available to reduce no-load loss.
- Intelligent variable speed fan to efficiently dissipate heat and extend system life.
- Lithium battery activation design, allowing access of lead-acid battery and lithium battery.
- 360 ° all-round protection with a number of protection functions. Such as overload,short circuit and overcurrent.
- Supply of a variety of user-friendly communication modules, such as Rs485 (GPRS,WiFi, Bluetooth), CAN, USB etc., and suitable for computer, mobile phones, Internetmonitoring as well as remote operations.

Application scenarios



RV System



Off-grid household system



Communication base station



Herders

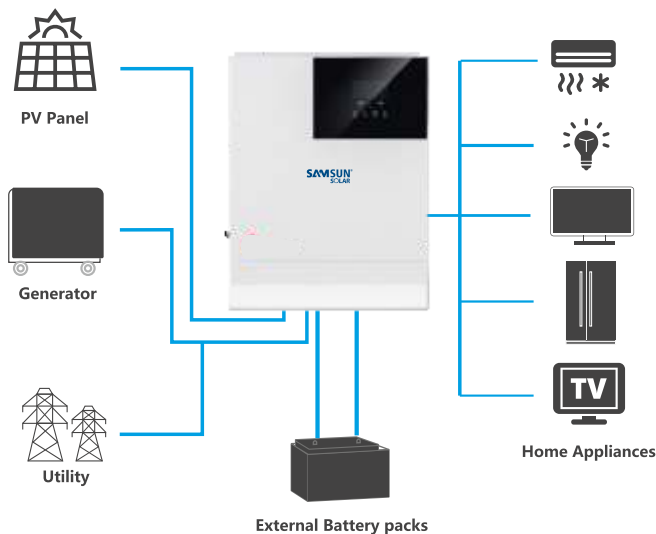


Island border defense

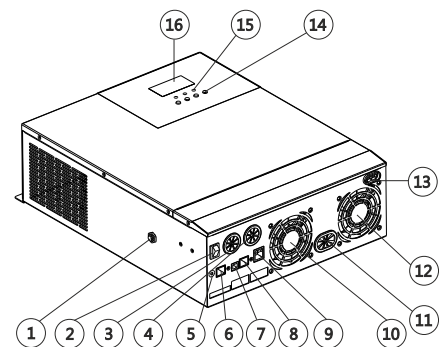


Power station

Product connection diagram



Product characteristics



①	Overload protector	⑨	Dry contact por
②	ON/OFF rocker switch	⑩	Cooling fan
③	AC input port	⑪	Battery port
④	AC output port	⑫	Cooling fan
⑤	Grounding screw hold	⑬	PV port
⑥	RS485-2 communication port	⑭	Touch button
⑦	USB communication port	⑮	Indicator
⑧	RS485-1 communication port	⑯	LCD screen

Parameters

Model	HF4830S60-H	HF4850S80-H	HF4835U60-H	HF4850U80-H
AC mode				
Rated input voltage	220/230Vac		110/120Vac	
Input voltage range	(170Vac~280Vac) ±2% ; (90Vac-280Vac)±2%		(90Vac~140Vac)±2%	
Frequency	50Hz/ 60Hz (auto-sensing)			
Frequency Range	47±0.3Hz ~ 55±0.3Hz (50Hz)/57±0.3Hz ~ 65±0.3Hz (60Hz);			
Overload/short circuit protection	Breaker			
Efficiency	>95%			
Conversion time (bypass and inverter)	10ms (Typical value)			
AC reverse protection	Available			
Maximum bypass overload current	40A		63A	
Inverting mode				
Output voltage waveform	Pure sine wave			
Rated output power(VA)	3000 (2600/2700/3000)	5000 (4350/4500/4800/5000)	3500(2900/3000/3200)	5000(4100/4300/4500)
Rated output power(W)	3000 (2600/2700/3000)	5000 (4350/4500/4800/5000)	3500(2900/3000/3200)	5000(4100/4300/4500)
Power factor	1			
Rated output voltage (Vac)	230Vac (200/208/220/240Vac settable)		120Vac (100/105/110Vac settable)	
Output voltage error	±5%			
Output frequency range (Hz)	50Hz ± 0.3Hz/60Hz ± 0.3Hz			
Efficiency	>90%			
Overload protection	(102%<load<125%) ±10%: reporting error and turn off the output after 5 minutes; (125%<load<150%) ±10%: reporting error and turn off the output after 10 seconds; Load>150% ±10%: reporting error and turn off the output after 5 seconds;		(102%<load<110%) ±10%: reporting error and turn off the output after 5 minutes; (110%<load<125%) ±10%: reporting error and turn off the output after 10 seconds; Load>125% ±10%: reporting error and turn off the output after 5 seconds;	
Peak power	6000VA	10000VA	5000VA	7000VA
Loaded motor capacity	2HP	4HP	2HP	3HP
Output short-circuit protection	Breaker			
Specification of bypass breaker	40A		63A	
Rated battery input voltage	48V (minimum start voltage 44V)			
Battery voltage range	40.0Vdc~60Vdc ± 0.6Vdc (undervoltage alarm/turnoff voltage/overvoltage alarm/overvoltage restoration...settable LCD screen)			
Power saving mode	Load ≤50W			
AC charge				
Battery type	Lead acid or lithium battery			
Maximum charge current	60A		40A	
Charge current error	± 5A _{dc}			
Charge voltage range	40Vdc~60Vdc			
Short-circuit protection	Breaker and blown fuse			
Breaker specification	40A		63A	
Overcharge protection	Turn off charge after 1min alarm			
Solar charge				
Maximum PV opencircuit voltage	500Vdc		450Vdc	500Vdc
PV operation voltage range	120-500Vdc		120-450Vdc	120-500Vdc
MPPT voltage range	120-450Vdc		120-430Vdc	120-450Vdc
Battery voltage range	40-60Vdc			
Maximum output power	4200W	5000W	4200W	5000W
Charge current range of solar energy (se	0-60A	0-80A	0-60A	0-80A
Charge short-circuit protection	Blown fuse			
Wiring protection	Inverse wiring protection			
Authentication specification				
Specification authentication	CE(IEC62109), RoHs			
EMC authentication grade	EN61000			
Operation temperature range	-15°C to 55°C			
Storage temperature range	-25°C ~ 60°C			
Humidity range	5% to 95% (Conformal coating protection)			
Noise	≤60dB			
Thermal dissipation	Forced cooling with adjustable air speed			
Communication interface	USB/RS485 (WiFi/GPRS)/dry node control			
Dimension (L*W*D)	426*322*126mm			
Weight (kg)	10.9		11.6	



SEALED MAINTENANCE FREE BATTERY

BENEFITS

- ▶ Pollution-free
- ▶ Safe handling
- ▶ Fast recharge
- ▶ No water topping



100Ah | 150Ah | 200Ah | 250Ah

PROFESSIONAL GEL BATTERY

BENEFITS

- ▶ Pollution-free
- ▶ Safe handling
- ▶ Fast recharge
- ▶ No water topping



100Ah | 150Ah | 200Ah | 250Ah

CHAMPION OF THE POWER

TALL TUBULAR BATTERY

BEST USE FOR UPS / INVERTER & SOLAR

N-SERIES



100Ah | 150Ah | 200Ah | 225Ah

TECHNICAL SPECIFICATION

Model	Samsun Tubular Battery Series			
Battery rating	100 Ah @C20	150 Ah @C20	200 Ah @C20	225 Ah @C20
Type of Battery	Tubular			
Model Offered	1000	1500	2000	2250
Nominal Voltage	12V			
Number of cell	6			
Shelf life	6 years			
Nominal Capacity(27°C)				
Cell Capacity @ C20	102 Ah	153 Ah	200 Ah	225 Ah
Cell Capacity @ C10	81 Ah	120 Ah	176 Ah	200 Ah
Cell Capacity @ C3	57.5 Ah	86 Ah	126 Ah	165 Ah
AH Efficiency	> 90%			
WH Efficiency	> 80%			
Recommended max. period of storage	3 months at 27°C			
Grid Alloy	Lead Antimony alloy			
Container & Lid Material	PPCP			
Sealing Method	Heat Sealing			
Plate type	Tubular Pos. & Flat Neg.			
Separator	Polyethylene			
Terminals & ICC	Bolted type terminals with lead coated fastners			
Mounting	Vertical			
Acid Level Indicators	Provided			
Supply condition	Factory charged			
Self Discharge at 27°C (average)	2.5%	3%	3%	3%
Operating Temp. range				
Discharge	-20~ 50°C			
Charge	-10~ 50°C			
Storage	-20~ 50°C			
Max. Discharge Current 77°F (25°C)	100 A (3 sec)	450A(3 sec)	600A(3 sec)	675A(3 sec)
Short Circuit Current	100 A	150 A	200 A	225 A
Cycle Use	14.2 - 14.5 V	14.4 - 14.7	14.4 - 14.7	14.4 - 14.7
Maximum charging Current 10% of Capacity	10 Amp	15 Amp	20 Amp	23 Amp
Temperature compensation	75mV/300moh			
Weight (Kg) Gross +/- 3%	50	56	63-64	66-67
Dimensions (L x W x H) in mm	505 x 187 x 394	505 x 187 x 394	505 x 187 x 394	505 x 187 x 394



To Know More
Please Scan
this QR Code

"The best and most beautiful things in the world cannot be seen or even touched - they must be felt with the heart."



SAMSUN[®]
SOLAR

Website: www.samsunindia.com | **Mail Us:** info@samsunindia.com

Marketing by: Nbs Solar

www.nbsgroups.com | Contact number India: +919700877707